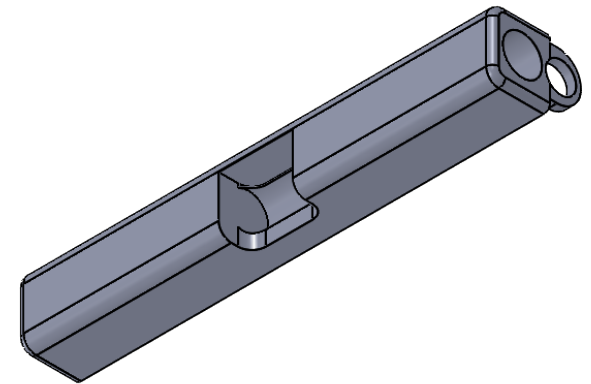
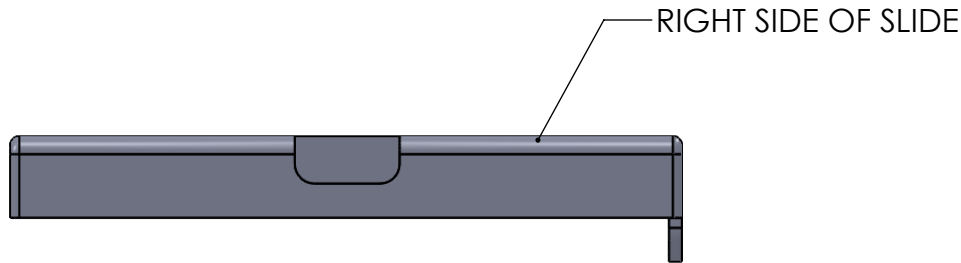
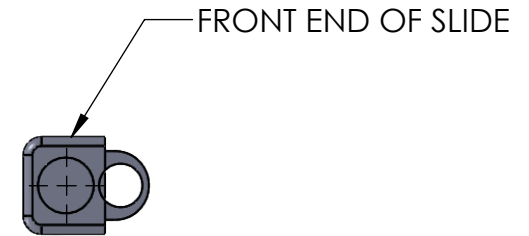
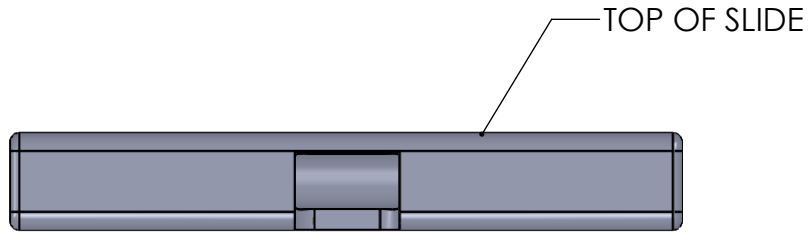



PRINT THE DRAWING AND USE AS A TEMPLATE FOR DESIGN SKETCHES



**PROPRIETARY AND CONFIDENTIAL**  
 THE INFORMATION CONTAINED IN THIS DRAWING IS THE SOLE PROPERTY OF <INSERT COMPANY NAME HERE>. ANY REPRODUCTION IN PART OR AS A WHOLE WITHOUT THE WRITTEN PERMISSION OF <INSERT COMPANY NAME HERE> IS PROHIBITED.

		UNLESS OTHERWISE SPECIFIED:	NAME	DATE
		DIMENSIONS ARE IN INCHES	DRAWN	
		TOLERANCES:	CHECKED	
		FRACTIONAL $\pm 1/16"$	ENG APPR.	
		ANGULAR: MACH $\pm 1 \text{ deg BEND } \pm$	MFG APPR.	
		TWO PLACE DECIMAL $\pm .01$	Q.A.	
		THREE PLACE DECIMAL $\pm .005$	COMMENTS:	
		FOUR PLACE DECIMAL $\pm .0005$		
		INTERPRET GEOMETRIC TOLERANCING PER:		
		MATERIAL		
NEXT ASSY	USED ON	FINISH		
APPLICATION		DO NOT SCALE DRAWING		



**Innovative Metal Technologies**  
 10941 N 144th St.  
 Waverly, NE. 68462

TITLE:

SIZE <b>A</b>	DWG. NO. website blank	REV
SCALE: 1:2	WEIGHT: N/A	SHEET 1 OF 1